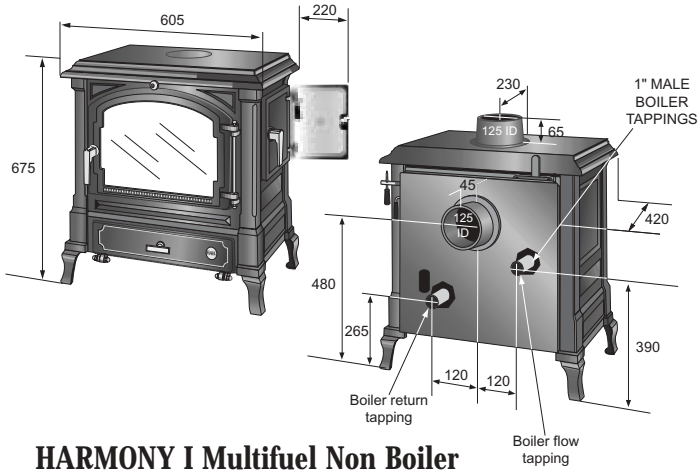


Harmony I Multifuel Manual Control



HARMONY I Multifuel Non Boiler

Colour Options

Cast Black	39692001
Bottle Green Enamel	39692003
Satin Black Enamel	39692002

Order Code

HARMONY I Multifuel with 3kW/hr Boiler

Cast Black	394.92B3/MB
Bottle Green Enamel	394.92B3/GRE
Satin Black Enamel	394.92B3/SB

HARMONY I Multifuel with St./Steel 3kW/hr Boiler

(For direct connection hot water cylinders)

Cast Black	394.92B3SS/MB
Bottle Green Enamel	394.92B3SS/GRE
Satin Black Enamel	394.92B3SS/SB

Optional Decorative Cast Iron Plinth

Cast Black	88802001
Bottle Green Enamel	88802006
Satin Black Enamel	88802002

Fuel type	Wood & Smokeless Coal	
	Non Boiler	Boiler Size 1
Maximum heat output to room	7kW (23,900BTU)	4kW** (13,648BTU)
Maximum heat output to boiler	-	3kW (10,236BTU)
Maximum log length	457mm/18"	457mm/18"
Flue outlet size (internal diameter)	125mm/5"	125mm/5"
Free air requirement	1100mm ²	1100mm ²
Shipping weight	158kg	162kg

Heating Capacity see page 11

Poor insulation	70m ³	40m ³
Average insulation	105m ³	60m ³
Good insulation	175m ³	100m ³
Water heating capacity	No	

Standard Features

Air wash control for wood burning	✓	✓
Thermostatic under grate air control	✓	✓
Ash pan	✓	✓
Riddling grate	✓	✓
Top or rear flue connection	✓	✓
Long life cast iron protection plates	✓	✓
Fuel loading front and side	✓	✓

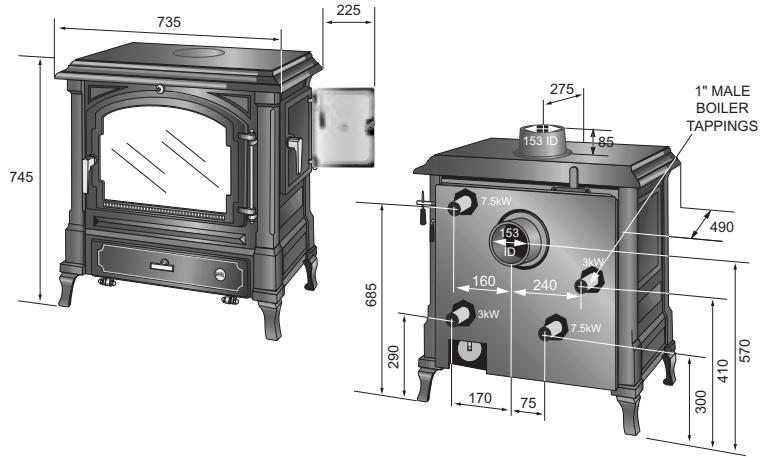
For more detailed information about this model request Technical Bulletin 021 from your local retailer or www.euroheat.co.uk

**Heat output to room is increased as water temperature rises.

Heat Leak Radiator Hot Water Storage.

The Guide to Capacity. Note: Heat output to room is greater when radiator requirements are increased.

Harmony III Multifuel Manual Control



HARMONY III Multifuel Non Boiler

Colour Options	Cast Black	Bottle Green Enamel	Satin Black Enamel
Order Code	39696.001	39696.003	39696.002

HARMONY III Multifuel with 3kW/hr Boiler

Order Code	394.96B3/MB	394.96B3/GRE	394.96B3/SB
------------	-------------	--------------	-------------

HARMONY III Multifuel with St./Steel 3kW/hr Boiler

(For direct connection hot water cylinders)

Order Code	394.96B3SS/MB	394.96B3SS/GRE	394.96B3SS/SB
------------	---------------	----------------	---------------

HARMONY III Multifuel with 7.5kW/hr Boiler

This model may be controlled with System Centres 4 or 5.

Order Code	394.96B7/MB	394.96B7/GRE	394.96B7/SB
------------	-------------	--------------	-------------

Optional Decorative Cast Iron Plinth

Order Code	88802001	88802006	88802002
------------	----------	----------	----------

Fuel type	Wood & Smokeless Coal		
	Non Boiler	Boiler Size 1	Boiler Size 3
Maximum heat output to room	16kW	13kW**	8.5kW**
Maximum heat output to boiler	-	3kW	7.5kW
Maximum log length	558mm/22"	558mm/22"	558mm/22"
Flue outlet size (internal dia.)	153mm/6"	153mm/6"	153mm/6"
Free air requirement	6050mm ²	6050mm ²	6050mm ²
Shipping weight	185kg	192kg	206kg

Heating Capacity see page 11

Poor insulation	160m ³	130m ³	85m ³
Average insulation	240m ³	195m ³	127m ³
Good insulation	400m ³	325m ³	212m ³
Water heating capacity	No		4-8

Standard Features

Air wash control for wood burning	✓	✓	✓
Thermostatic under grate air control	✓	✓	✓
Ash pan	✓	✓	✓
Riddling grate	✓	✓	✓
Front or side door fuel loading	✓	✓	✓
Top or rear flue connection	✓	✓	✓
Long life cast iron protection plates	✓	✓	✓
Fuel loading front and side	✓	✓	✓

For more detailed information about this model request

Technical Bulletin 022 from your local retailer or www.euroheat.co.uk

**Heat output to room is increased as water temperature rises.

Heat Leak Radiator Hot Water Storage. **4-8**, Radiator.

The Guide to Capacity. Note: Heat output to room is greater when radiator requirements are increased.